

# JBC 525

► [www.javabrewcollection.com](http://www.javabrewcollection.com)

## User Interface

- Tactile selection panel (Soft Touch Technology) with 12 backlit buttons that can be set either as direct selections or pre-selections
- 12 buttons alphanumeric keypad
- Models with Backlit Lexan or 7" LCD screen that makes the machine communicative with display of video clips, images or messages
- Customizable sugar dosage
- End selection acoustic signal
- 32 digit alphanumeric display
- Illuminated cup station with a height of 6.69" (170 mm) to be able to host a jug
- Slow falling product dispensing door on the automatic version



## TECHNOLOGY



LED, LOW VOLTAGE  
LIGHTING



SENSOR DETECTION  
CUP (OPTION)



PATENTED  
ESPRESSO GROUP



ENERGY SAVING  
MOD (OPTION)

Plumbed or internal refillable tank, internal cup drop and mug capabilities. Additional variety of dispensed products and drinks. Money and credit card acceptance vend capabilities, perfect for accounts looking for full feature capabilities.

# JBC

Java Brew Collection

## JBC SERIES 525 SPECIFICATIONS

### ELECTRICAL SUPPLY

AC Voltage = 120 V – 60 Hz

### INTERNAL ELECTRICAL SUPPLY

All the electrical components are supplied at 24 Vdc, with the exception of the boiler resistances, the pump and the steam ventilator that are powered by the mains voltage.

### POWER SUPPLY

1.80 kW single boiler espresso version

1.80 kW alternating double boiler espresso version

### WATER SUPPLY

Fitting connection = 3/4" / Water pressure = 0.5 – 6.5 bar

JBC SERIES 525	E4S ESPRESSO SINGLE BOILER AUTOMATIC *	E4S ESPRESSO DOUBLE BOILER AUTOMATIC *	E5S ESPRESSO SINGLE BOILER SEMI AUTOMATIC *	E5S ESPRESSO DOUBLE BOILER SEMI AUTOMATIC *
COFFEE BEANS	1	1	1	1
SUGAR CANISTER	1	1	-	-
INSTANT CANISTERS	4	4	5	5
<b>DIMENSIONS</b>	H 29.3" (745 mm) x W 20" (510 mm) x D 23.6" (600 mm) WEIGHT 112.4 LBS (51 kg) (espresso auto version)			
<b>CABINET</b>	H 30.9" (786 mm) x W 20" 510 mm x D 21.85" (555 mm) (without wall bracket). Depth including wall bracket 24" (610 mm).			

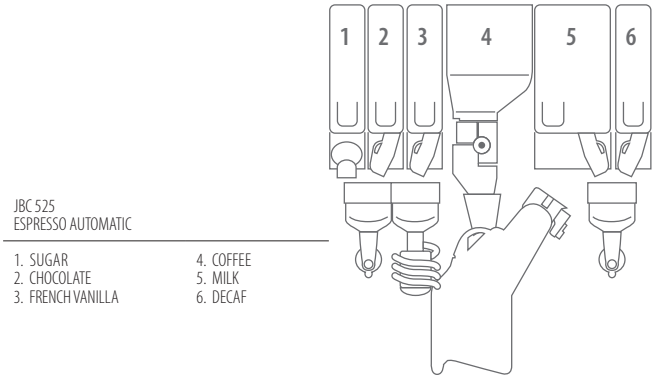
\* models available also with LCD version.

## FEATURES

- Great configuration flexibility and wide choice of versions.
- Automatic and semi automatic, with water system supply or with autonomous tank inside the base cabinet.
- Each model is also available with an integrated LCD 7" which allow to spread images or messages.
- Door lock with programmable code.
- Mixers and boiler assembly are extractable to make maintenance operations easier.
- Standard serpentine kit for tea.
- Cup dispenser adjustable to various diameters (from 70 to 74 mm) and dispenser for 90 or 105 mm stirrers.
- Standard boiler for Espresso: 1500 W – 150 cc. Double boiler available by adding a boiler 700 W – 180 cc. for higher performances (long drinks).
- Liquid waste tray: 2 litres with electronic safety block for maximum water level.
- Coffee grounds waste tray for 200 pucks.
- Pre-heating boiler with electrical temperature management available on the espresso double boiler version.
- Switching power supply that guarantees total stability of the instant product dose and complete electric safety protections.
- Standard multi-protocol electronics.
- Compatible with telemetry.

## PRODUCT CAPACITY

Coffee beans	3.74 Lbs (1.7 kg)
Instant coffee	1.87 Lbs (0.85 kg)
Barley	1.87 Lbs (0.85 kg) (1.75 lt)
Powdered milk	1.21 Lbs (0.55 kg) (1.75 lt)
Creamer	2.64 Lbs (1.2 kg) (1.75 lt)
Chocolate	6.6 Lbs (3 kg) (1.75 lt) double canister
Lemon tea	4.4 Lbs (2 kg) (1.75 lt)
Tea	2.2 Lbs (1 kg)
Soup	2.75 Lbs (1.25 kg)
Sugar	3.74 Lbs (1.7 kg)
Spoons	200 pcs. (automatic version)
Cups	200 pcs. (automatic version)



JBC 525 ESPRESSO AUTOMATIC

- |                   |           |
|-------------------|-----------|
| 1. SUGAR          | 4. COFFEE |
| 2. CHOCOLATE      | 5. MILK   |
| 3. FRENCH VANILLA | 6. DECAF  |

## PAYMENT SYSTEM

- Can work in master/slave with only one set of payment system on the hot vending machine together with a refrigerated automatic spiral vending machine for the sale of snacks, cans and bottles, increasing selling opportunities.
- Compatible with all payment systems available on the market.

## ACCESSORIES KIT

- Base cabinet or predisposed for payment systems.
- Raised base kit to bring machine + cabinet to an height of 163 cm.
- Free vend panel.
- Autonomous pump kit that can be assembled inside the base cabinet.
- Cup sensor (automatic version).
- Kit chip clock (for energy saving mod and promotional activities).
- RS232 module.
- EXE/MDB kit.
- Visual Smart Programmer Speed that allows the upload of the firmware and settings and the download of the settings and audit without a PC.

## ENVIRONMENT

- Backlighted keyboard with led.
- Compatible with paper cups and wooden spoons.
- OPTION: cup sensor to reduce the consumption of plastic cups and to deliver a beverage in a mug (automatic version).
- OPTION: energy saving mod to reduce the energy consumption when the machine is in stand by.
- In compliance with ROHS and WEEE.

